


SUPERLOCK LATCH DEADLOCK

-  **Now in stainless steel** for ultimate outdoor durability!
-  Easy to fit - Slim 70mm wide lock case along with adjustable and removable latchbolt ensure easy fitting to gates.
-  Latchbolt is adjustable in length for precise fitting on site. Easy to rotate for left and right handed gates.
-  Supplied with handles - four styles available.
-  Supplied with bolt support plate and gate post strike plate.



PRODUCT DETAILS

Product code:	Description:
BLD1030	To fit flat bar and up to 30mm box section
BLD4060	To fit 40 to 60mm box section

Style of handle:	Description:
R	Round handle set
P	Plain lever handle set
T	Traditional handle set
F	Flat sided lever handle set

Bolts: Adjustable, latchbolt springs 15mm and deadbolt moves to 30mm.

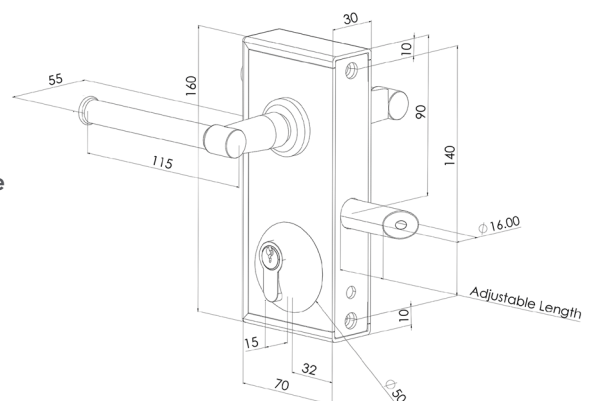
Perfect for both LH/RH gates.

Shown with twisted lever handle



INSTALLATION

- Drill 2 x 9mm holes at 140mm centres for fixing bolts provided.
- Drill a second 18mm clearance hole for the latchbolt at 60mm centres up from the bottom fixing hole.
- Hold the lock against the back of the box section and screw the latchbolt through the bottom 18mm hole.
- Lock the latchbolt and deadbolt with the hex key supplied by inserting the hex key into the end of the latchbolt and the deadbolt.
- Fix lock in place using the stainless steel bolt support plate and the countersunk screws provided. Ensure the latchbolt and deadbolt move freely.
- Fix strike plate by either welding or screw fixing onto the gate post



MAINTENANCE: Every 6 months, lubricate the latchbolt and deadbolt with light oil. Annually, dismantle the lock and spray mechanism with light oil.



VISIT GATEMASTERLOCKS.COM FOR MORE INFORMATION

