

SUPERLOCK BOLT ON KEEP



SPECIFICATION SHEET

BSK

- ◻ Slim keep that fits between the gate and the post for use with the Superlock range of locks
- ◻ Secure – Prevents access to the latchbolt
- ◻ Improves gate appearance – Slim design blends in well with the gate
- ◻ Versatile – Gate keep is simple and easy to fit to a wide range of applications.



PRODUCT DETAILS

Product code:	Description:
BSK	Superlock keep

Includes: Self expanding fixings for post bracket

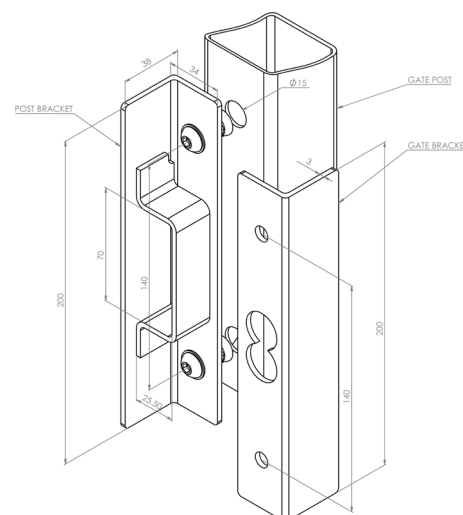


Expanding fastener



INSTALLATION

1. Drill 2 x 15mm dia. holes at 140mm centres in the gate post for 2x expanding fasteners.
2. Insert expanding fasteners through the post bracket into the post, and tighten with 5mm allen key
3. Drill 2x 9mm holes at 140mm centres in the gate (these will have already been drilled when fitting with a Superlock) and bolt the bracket on using the M8 fixing bolts supplied with the lock.



VISIT GATEMASTERLOCKS.COM FOR MORE INFORMATION

